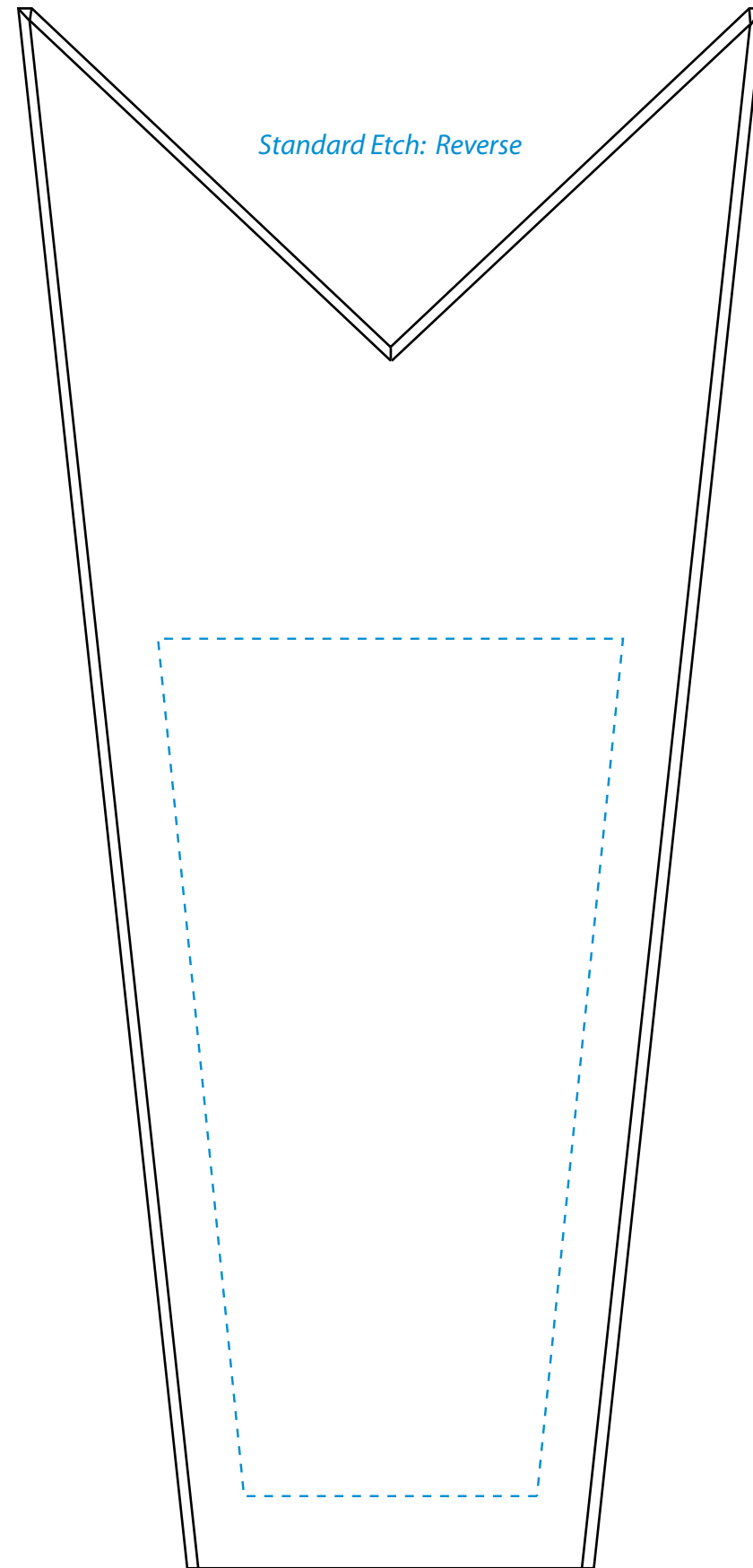


6096 MIRAGE MEDIUM



Standard Etch: Reverse

6096 MIRAGE MEDIUM

Blue line represents the max image area.

