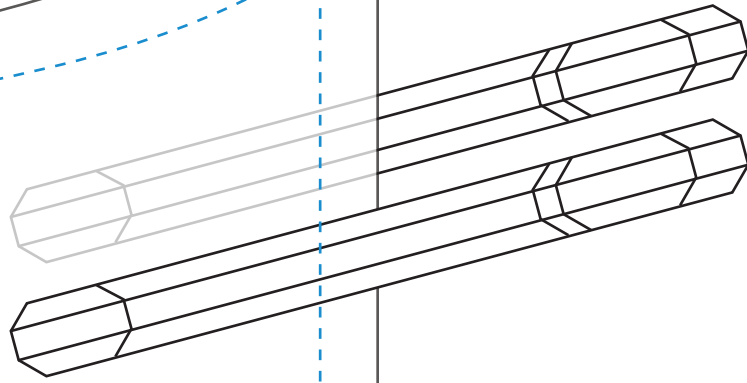
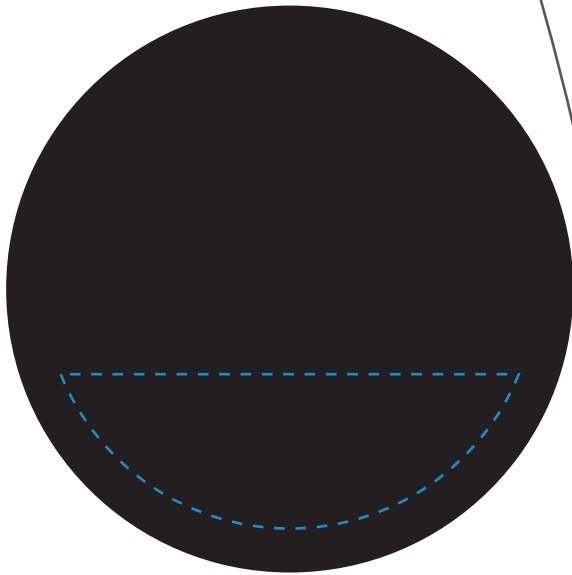


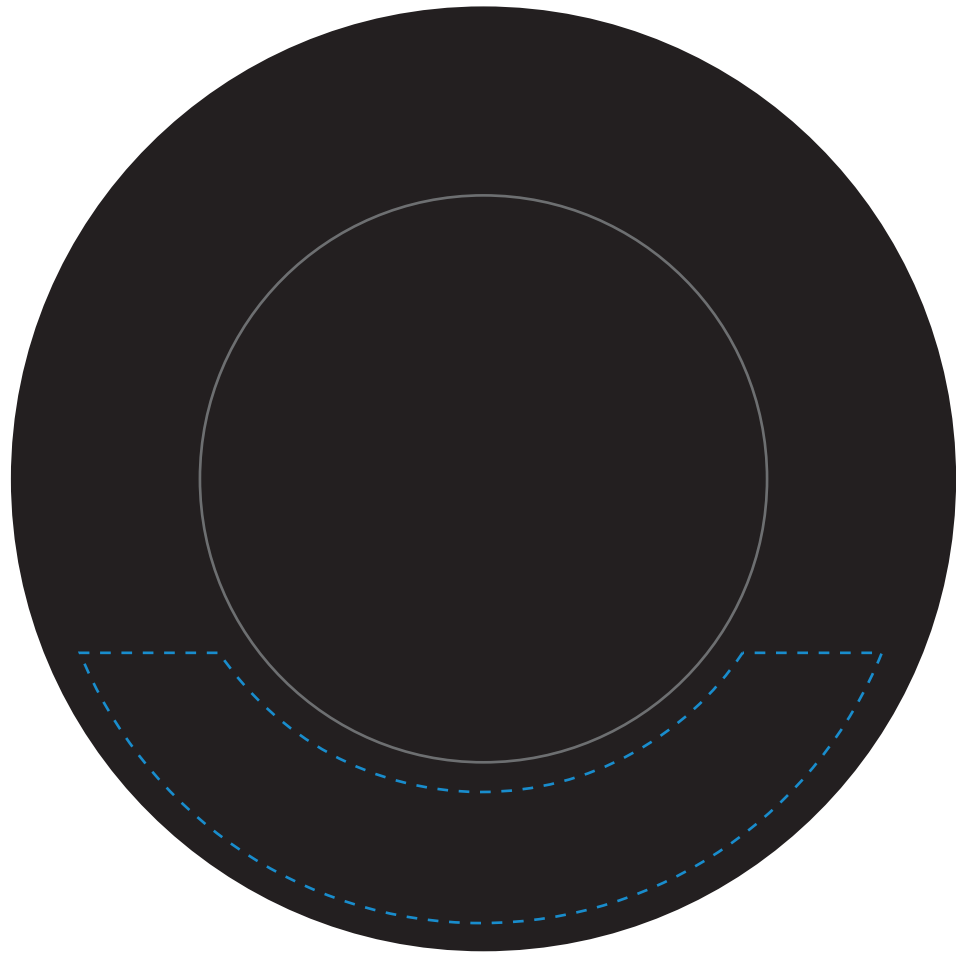
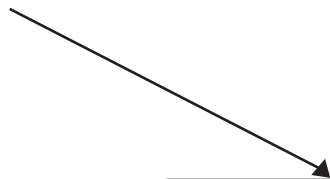
Standard Etch: Front



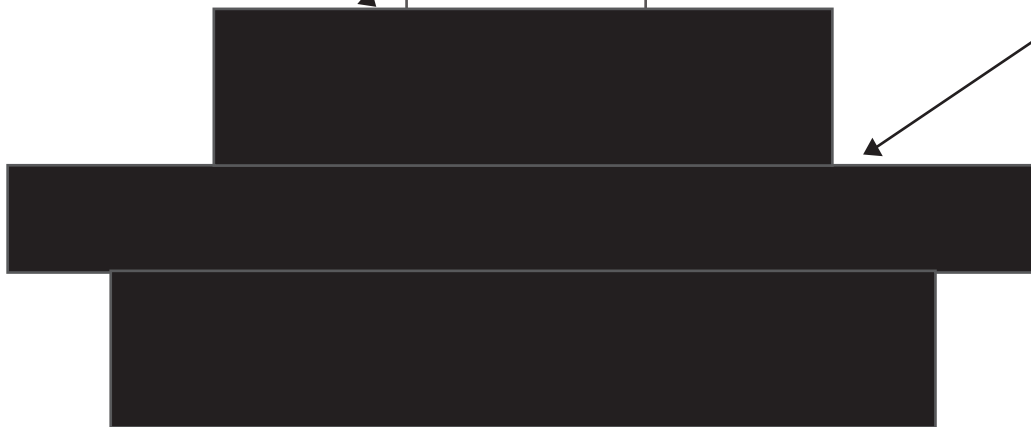
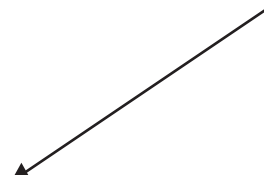
Standard Etch: Front



Top Surface of Top Tier on Base



Top Surface of Middle Tier on Base



6974 INNOVATION
Blue line represents the max image area.